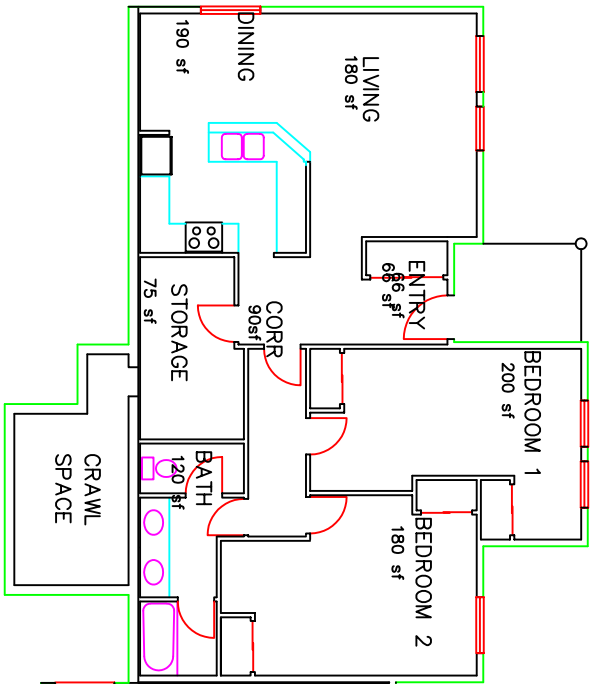
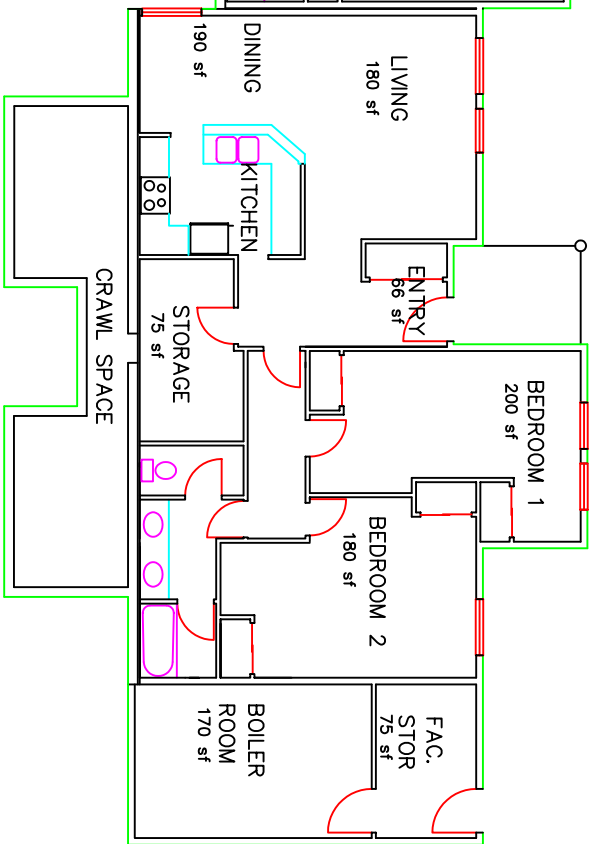


BLDG C
APT 2



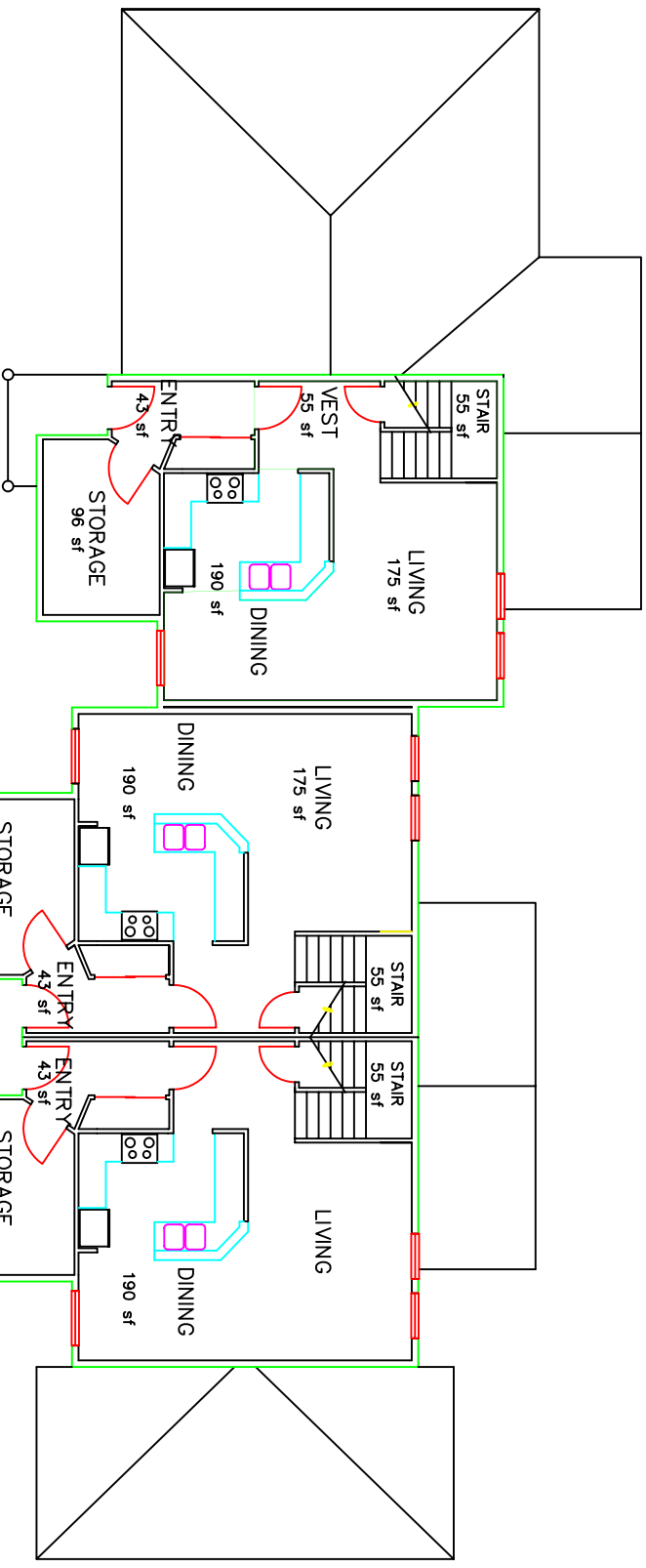
BLDG C
APT 1



STUDENT HOUSING BUILDING 'C' - LOWER LEVEL FLATS
Building No.: JS-113

JANUARY 2003



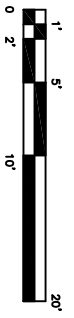


BLDG C
APT 3
AREA = 500 Sq.Ft/ 75 Sq. Yds
COVE BASE = 120 l.f.

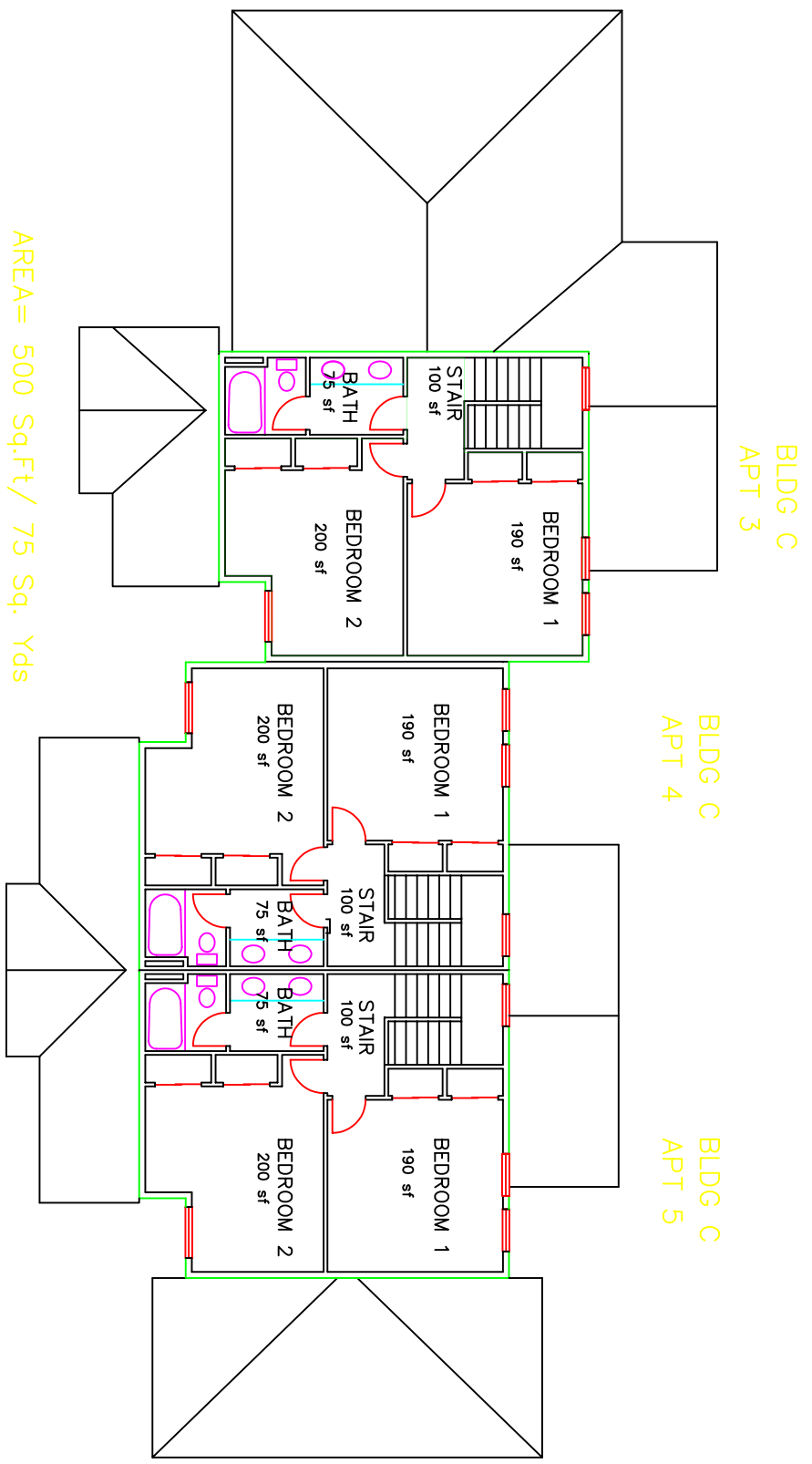
BLDG C
APT 4
BLDG C
APT 5

STUDENT HOUSING BUILDING 'C' – MAIN FLOOR TOWNHOUSES
Building No.: JS-113

JANUARY 2003



AREA = 500 Sq.Ft. / 75 Sq. Yds
 COVE BASE = 120 l.f.



STUDENT HOUSING BUILDING 'C' – UPPER LEVEL TOWNHOUSES
 Building No.: JS-113

JANUARY 2003

